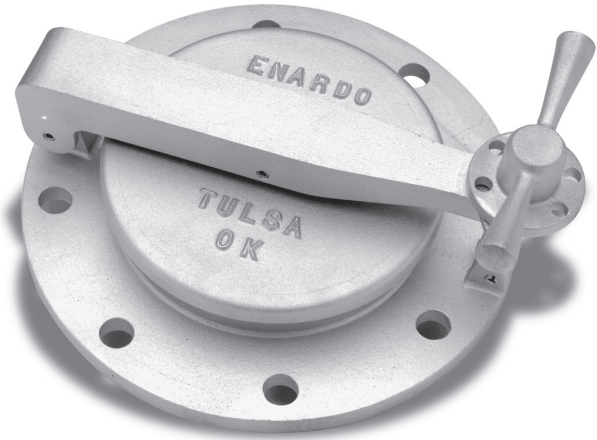


# Lock Down Hatch, Model 1000

The **Model 1000** provides access for storage tanks. When closed it assures a vapor tight seal that prevents leakage and evaporation loss. It is designed for easy installation, inspection and maintenance providing trouble free operation. Its non-sparking design provides easy access for gauging, sampling, temperature measurement or inspection.

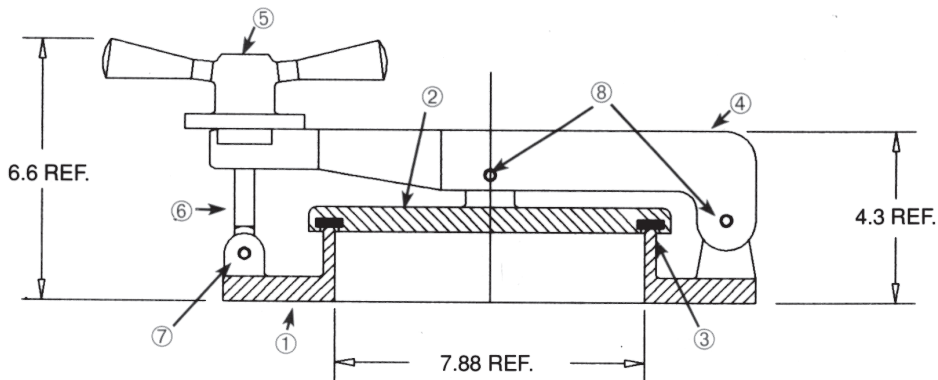


## Valve Setting Range

Model	Bolt Pattern 1	Bolt Pattern 2
Model 1000	8" ANSI 150 lb.	8" API

## Materials of Construction

Model	Construction	Optional Equipment	Shipping Weight
Model 1000	Aluminum Base, Arm & Lid Closed Cell Sponge Neoprene Gaskets	Special application Gasketing, Bolt and Gasket Set, Base Gasket only, Non-corrosive Coating Foot Pedal Operator	20 lbs. (approx.)



## Model 1000 Parts

Ref.	Part No.	Part Name	Material	Quan.
1	1008-01	Base	Cast Aluminum	1
2	1008-02	Lid	Cast Aluminum	1
3	1008-03	Lid Gasket	Nitrile	1
4	1008-04	Arm	Cast Aluminum	1

## Model 1000 Parts (continued)

Ref.	Part No.	Part Name	Material	Quan.
5	1008-05	Handle	Cast Aluminum	1
6	1008-06	Swing Bolt	Cast Aluminum	1
7	1007-07	Roll Pin 1 x 1.38	Plated Steel	1
8	1008-08	Roll Pin 2 x 2	Plated Steel	2

