

## Model 660 and 660-L, Thief Hatches

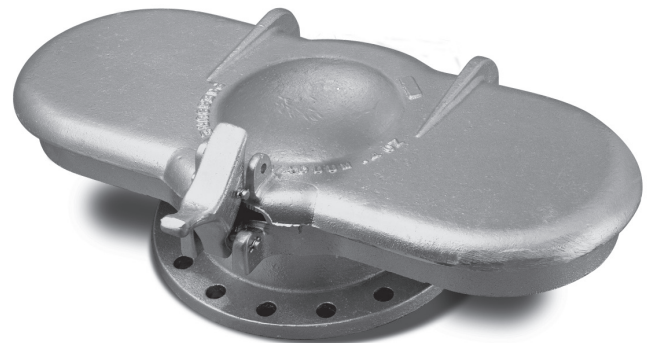
The Model 660 spring loaded thief hatch is designed with a round base and cover. It is intended for use on steel and fiberglass tanks which require a tighter seal for reduced vapor loss.

**Model 660**



The Model 660-L is a spring loaded thief hatch designed with a long basin and cover. The long basin serves as a thief shelf. The design also includes an inclining base to keep the basin level.

**Model 660-L**



### Valve Setting Range

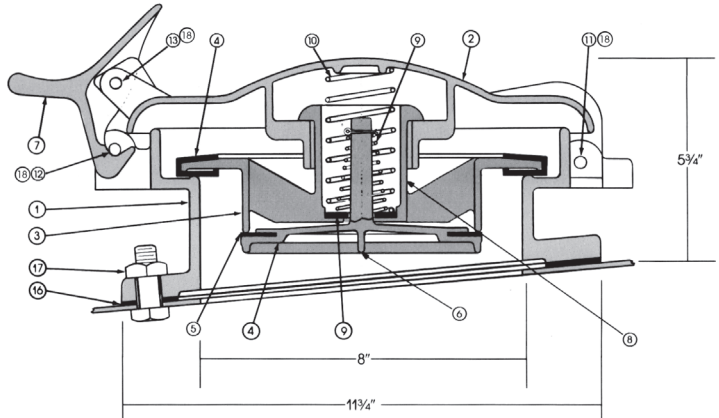
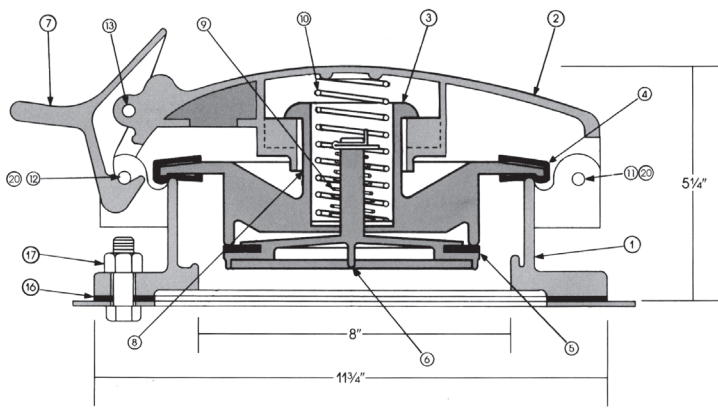
Model	Bolt Pattern	Pressure	Vacuum
Model 660	8" API	2, 4, 6, 8, 12, 16, 24 and 32 oz/sq. in.	0.4, 0.9 and 3.5 oz/sq. in.
Model 660-L	8" API	2, 4, 6, 8, 12, 16, 24 and 32 oz/sq. in.	0.4, 0.9 and 3.5 oz/sq. in.

### Materials of Construction

Model	Construction	Optional Equipment	Shipping Weight
Model 660	Aluminum castings (non-sparking)	Plastic Trim (PT), Base Gasket, Bolt Set, Non-Corrosive Coating	25 lbs. (approx.)
Model 660-L	Aluminum castings (non-sparking)	Plastic Trim (PT), Base Gasket, Bolt Set, Non-Corrosive Coating	45 lbs. (approx.)



**Model 660 and 660-L, Thief Hatches**



**MODEL 660**

Ref.	Part No.	Part Name	Material	Quan.
1	61A	Base	Cast Alumn.	1
2	63	Cover	Cast Alumn.	1
3	72SA	Center (see Cntr Assy)	Assembly	1
*3	72SA 1-PT	Center (see Cntr Assy)	Plastic Assembly	1
4	70-H	Envelope Pressure Gasket	Nitrile	1
*4	70-HV	Envelope Pressure Gasket	Viton	1
5	74-G	Vacuum Gasket	Buna N	1
*5	74-GV-SP	Vacuum Gasket	Viton Sponge	1
6	64-F	Vacuum Disc	Cast Alumn.	1
7	9	Latch	Cast Alumn.	1
8	72	Center	Cast Alumn.	1
9	660-VS-1/2	Vacuum Spring	Plated	1
*9	660-VS-1/2I	Vacuum Spring	Inconel	1
10	660-PS-4	Pressure Spring	Plated	1
*10	660-PS-4I	Pressure Spring	Inconel	1
11	4505112	Hinge Clevis Pin	CRS Plated	1
12	4505110	Latching Clevis Pin	CRS Plated	1
13	5-C	Latch Pin	CRS Plated	1
+16	660-BG	Base Gasket	Tank Packing	1
+17	1/2-13 x 1 - 1/2	Bolt, Hex	Plated	16
+17	1/2-13	Nut, Hex	Plated	16
19	HCP-148	Hinge Pin Clip	Plated	6
20	2000703	Hing/Latching Cotter Pin	Plated	2

\* Plastic Trim Series Furnished Upon Request Only - For Sour Gas  
+Furnished Upon Request Only

**MODEL 660-L**

Ref.	Part No.	Part Name	Material	Quan.
1	61LC	Base	Cast Alumn.	1
2	63L	Cover	Cast Alumn.	1
3	72SA1	Center (see Cntr Assy)	Assembly	1
*3	72SA 1-PT	Center (see Cntr Assy)	Plastic Assembly	1
4	70-H	Envelope Pressure Gasket	Nitrile	1
*4	70-HV	Envelope Pressure Gasket	Viton	1
5	74-G	Vacuum Gasket	Buna N	1
*5	74-GV-SP	Vacuum Gasket	Viton Sponge	1
6	64-F	Vacuum Disc	Cast Alumn.	1
7	9	Latch	Cast Alumn.	1
8	72	Center	Cast Alumn.	1
9	660-VS-1/2	Vacuum Spring	Plated	1
*9	660-VS-1/2I	Vacuum Spring	Inconel	1
10	660-PS-4	Pressure Spring	Plated	1
*10	660-PS-4I	Pressure Spring	Inconel	1
11	5	Cover Hinge Pin	CRS Plated	1
12	5-N	Latching Pin	CRS Plated	1
13	5-C	Latch Pin	CRS Plated	1
+16	660-BG	Base Gasket	Tank Packing	1
+17	1/2-13 x 1 - 1/2	Bolt, Hex	Plated	16
+17	1/2-13	Nut, Hex	Plated	16
18	HCP-148	Hinge Pin Clip	Plated	6

\* Plastic Trim Series Furnished Upon Request Only - For Sour Gas  
+Furnished Upon Request Only

